



MONITORING REPORT

CARBON OFFSET UNIT (CoU) PROJECT



Title : Ground Mounted Small Scale Solar Power Project by Vinati Organics Limited in Osmanabad, Maharashtra

Version : 1.0

MR Date : 27/01/2023

First CoU Issuance Period : 10 Months

First Monitoring Duration : 31/03/2022 to 31/12/2022



Monitoring Report (MR)
CARBON OFFSET UNIT (CoU) PROJECT

BASIC INFORMATION

Title of the project activity	Ground Mounted Small Scale Solar Power Project by Vinati Organics Limited in Osmanabad, Maharashtra
UCR Project Registration Number	285
Version	1.0
Completion date of the MR	27/01/2023
Monitoring period number and duration of this monitoring period	Monitoring Period Number: 01 Duration of this monitoring Period: 10 Months first and last days included (31/03/2022 to 31/12/2022)
Project participants	Creduce Technologies Private Limited (Aggregator) Vinati Organics Limited (Project Owner)
Host Party	India
Applied methodologies and standardized baselines	Applied Baseline Methodology: AMS-I. D: “Grid connected renewable electricity generation”, version 18
Sectoral Scope	01 Energy industries (Renewable/Non-Renewable Sources)
Estimated amount of GHG emission reductions for this monitoring period	2022 : 6,708 CoUs (6,708 tCO _{2e})
Total:	6,708 CoUs (6,708 tCO _{2e})

SECTION - A - Description of project activity

A.1 Purpose and General description of Carbon offset Unit (CoU) project activity

The proposed project activity with the title under UCR “Ground Mounted Small Scale Solar Power Project by Vinati Organics Limited in Osmanabad, Maharashtra”, is a grid-connected renewable power generation activity which incorporates installation and operation of solar photovoltaic power generation project at Dahiwadi village, in Osmanabad district, in the state of Maharashtra, in India. The project has aggregated installed capacity of 5000 kW AC (7500 kW DC). The project is an operational activity with continuous reduction of GHG, currently being applied under the “Universal Carbon Registry” (UCR).

A.1.1 Purpose of the project activity:

The project activity aims to harness the solar radiation which is a renewable source, to generate electricity. The power generated is being consumed through open access by manufacturing facility of PP in Maharashtra for captive use as per the MERC regulations 2016. In pre-project scenario the PP was importing the required electricity from the NEWNE grid to meet its requirement of electrical energy. Currently, NEWNE grid is connected to large numbers of fossil fuel-based power plants. Hence, project activity is displacing the gross electricity generation i.e., 7,453 MWh from the NEWNE grid, which otherwise would have been imported from the grid. The project activity doesn't involve any GHG emission sources.

The annual and the total CO₂e emission reduction by the project activity over the defined monitoring period is as per **Annexure I**.

A.1.2 Description of the installed technology and equipment:

The project activity involves ground-mounted photovoltaic (PV) plant having aggregated installed AC capacity of 5000 kW (7500 kW DC, in rest of the document DC capacity will be mentioned). The project activity uses monocrystalline silicon trina solar photovoltaic technology to generate clean energy. Solar radiation is converted directly into electricity by solar cells (photovoltaic cells). In such cells, a small electric voltage is generated when light strikes the junction between a metal and a semiconductor (such as silicon) or the junction between twodifferent semiconductors. Photovoltaic module consists of several photovoltaic cells connected by circuits and sealed in an environmentally protective laminate, which forms the fundamental building blocks of the complete PV generating unit. Several PV panels mounted on a frame are termed as PV array.

A.1.3 Relevant dates for the project activity (e.g., construction, commissioning, continued operation periods, etc.)

The duration of the crediting period corresponding to the monitoring period is covered in this monitoring report.

UCR Project ID	:	285
Start Date of Crediting Period	:	31/03/2022

The project was commissioned on : 31/03/2022

The total GHG emission reductions achieved in this monitoring period are as follows:

Summary of the Project Activity and ERs Generated for the Monitoring Period	
Start date of this Monitoring Period	31/03/2022
Carbon credits claimed up to	31/12/2022
Total ERs generated (tCO ₂ e)	6,708 tCO ₂ e
Leakage Emission	0
Project Emission	0

A.1.4 Baseline Scenario

As per the approved consolidated methodology AMS-I.D. Version 18, if the project activity is the installation of a new grid-connected renewable power plant/unit, the baseline scenario is the following: **“The baseline scenario is that the electricity delivered to the grid by the project activity would have otherwise, been generated by the operation of grid-connected power plants and by the addition of new generation sources into the grid”.**

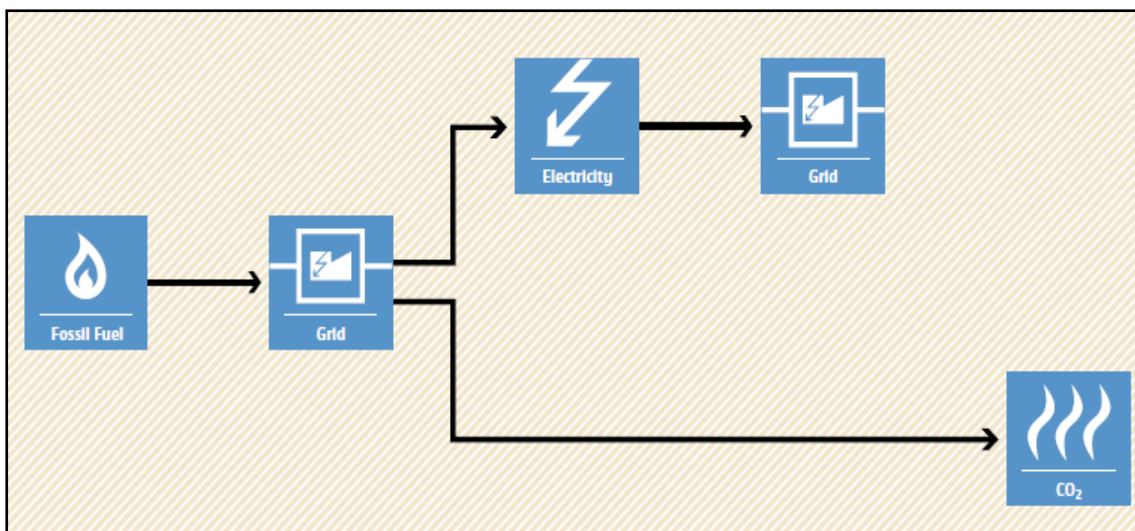


Figure 1 Baseline Scenario

A.2 Location of Project Activity

The project site is in village Dahiwadi of Osmanabad district, Maharashtra. The project site is well connected from airport and railway station. The geographic co-ordinates of the project location have been given below.

Latitude : 17°58'25.7"N

Longitude : 75°57'52.9"E

The representative location map is included below:

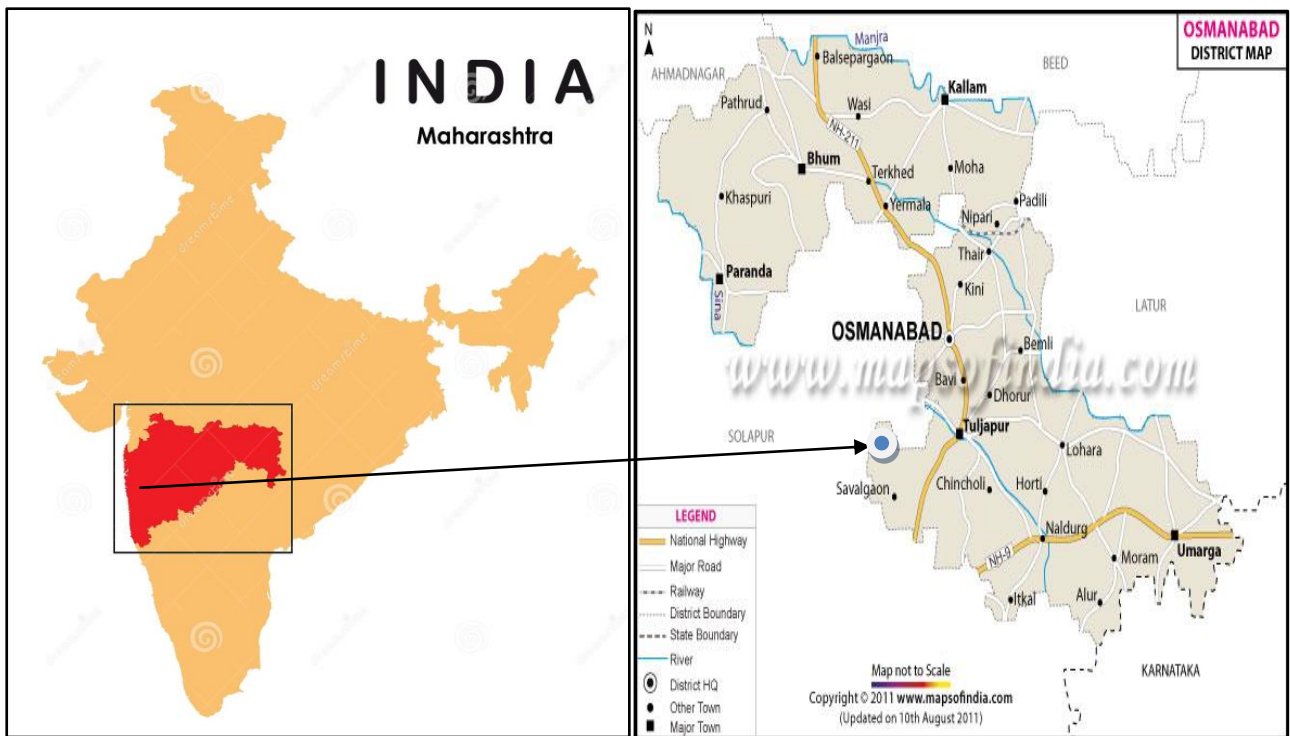


Figure-1- Location of the project activity (courtesy: google images and www.mapofindia.com)

A.3 Parties and project participants

Party (Host)	Participants
India	<p>Creduce Technologies Private Limited (Aggregator) Contact person : Shailendra Singh Rao Mobile : +91 9016850742, 9601378723 Address : 2-O-13,14 Housing Board Colony, Banswara, Rajasthan -327001, India</p> <p>M/s Vinati Organics Limited in Gujarat, India (Project Owner) Address: Parinee Crescenzo, “A” Wing, 1102, 11th Floor, “G” Block, Plot No. C38 & C39. Behind MCA, Bandra Kurla Complex, Bandra (E), Mumbai-400051, India.</p>

A.4 Methodologies and standardized baselines

- Sectoral scope** : 01, Energy industries (Renewable/Non-renewable sources)
- Type** : I-Renewable Energy Projects
- Category** : AMS. I.D. (Title: “Grid connected renewable electricity generation”, version 18)

A.5 Crediting period of project activity

Start date of the crediting period : 31/03/2022
Crediting period corresponding to this monitoring period : 10 Months

31/03/2022 to 31/12/2022 (Both dates are inclusive)

A.6 Contact information of responsible persons/entities

Contact person : **Shailendra Singh Rao**
Mobile : +91 9016850742, 9601378723
Address : 2-O-13,14 Housing Board Colony,
Banswara, Rajasthan -327001, India

SECTION - B - Implementation of project activity

B.1 Description of implemented registered project activity

B.1.1 Provide information on the implementation status of the project activity during this monitoring period in accordance with UCR PCN

The project consists of ground mounted photo voltaic solar plant with aggregated installed capacity of 7500 kW. The plant was commissioned on 31/03/2022 by the respective authority of government of Maharashtra. The project generates clean energy by utilizing the solar Radiations.

B.1.2 For the description of the installed technology, technical process, and equipment, include diagrams, where appropriate

Photovoltaic module consists of several photovoltaic cells connected by circuits and sealed in an environmentally protective laminate, which forms the fundamental building blocks of the complete PV generating unit. Several PV panels mounted on a frame are termed PV Array. The project activity has used the reliable and proven technology from supplier to ensure that an environmentally safe and sound technology is only being implemented in the proposed project activity leading to the GHG reduction.

Technical details for the solar power project installed at Dahiwadi with a capacity of 7.5 MW are as follows:

Equipment Description	Make	Model / Rating	Qty
Module	Trina Solar	640 Wp & 645 Wp	11670 nos
Inverter	Sineng Electric (India) Pvt. Ltd.	EP-2500-HA-UD	2 nos
SMB	Trinity Touch	TRISOLAR	38 nos
Transformer	Voltamp	3 winding (2 LV & 1HV)	1 nos
CT (outdoor)	M/s ATLANTA ELECTRICALS.	100/5	6 nos
CT (indoor)	Pragati Electricals	100/5/5	6 nos
PT (outdoor)	M/s ATLANTA ELECTRICALS.	33KV/R3/110V/R3	6 nos
PT (indoor)	Pragati Electricals	33KV/R3/110V/R3	6 nos
LA	Lamco Industries Pvt. Ltd.	10 kA	3 nos
Energy Meter	Schneider Electric India Pvt. Ltd. (Marketed By L&T)	L&TER300P	2 nos
VCB / VCB Panel	ABB	VD4/W 36.12.32	1
UPS	APC	SRC3KUXIQ	1

B.2 Do no harm or impact test of the project activity

There was no harm identified from the project and hence no mitigation measures are applicable.

Rational: as per 'Central Pollution Control Board (Ministry of Environment & Forests, Govt. of

India)', final document on revised classification of Industrial Sectors under Red, Orange, Green and White Categories (07/03/2016), it has been declared that Solar project activity falls under the "White category". White Category projects/industries do not require any Environmental Clearance such as 'Consent to Operate' from PCB as such project does not lead to any negative environmental impacts. Additionally, as per Indian regulation, environmental and social impact assessment is not required for Solar Projects.

The Government of India has stipulated the following indicators for sustainable development in the interim approval guidelines for such projects which are contributing to GHG mitigations. The Ministry of Environment, Forests & Climate Change, has stipulated economic, social, environmental, and technological well-being as the four indicators of sustainable development. It has been envisaged that the project shall contribute to sustainable development using the following ways:

Social well-being: The project would help in generating direct and indirect employment benefits accruing out of ancillary units for installing and maintenance during operation of the project activity. It will lead to the development of infrastructure around the project area in terms of improved road network etc. and will also directly contribute to the development of renewable infrastructure in the region.



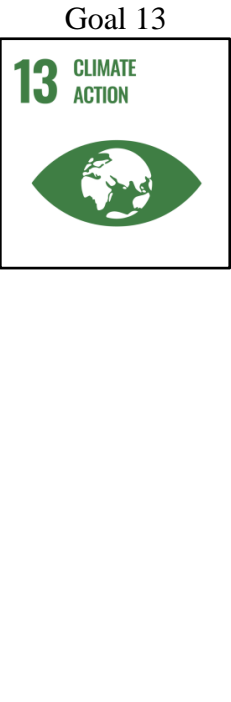
Environmental well-being: The project utilizes Solar energy for generating electricity which is a clean source of energy. The project activity will not generate any air pollution, wind pollution or solid waste to the environment which otherwise would have been generated through fossil fuels. Also, it will contribute to the reduction of GHG emissions. Thus, the project causes no negative impact on the surrounding environment contributing to environmental well-being.

Economic well-being: Being a renewable resource, using Solar energy to generate electricity contributes to the conservation of precious natural resources. The project contributes to economic sustainability through the promotion of decentralization of economic power, leading to the diversification of the national energy supply, which is dominated by conventional fuel-based generating units. Locally, improvement in infrastructure will provide new opportunities for industries and economic activities to be set up in the area. Apart from getting better employment opportunities, the local people will get better prices for their land, thereby resulting in overall economic development.

Technological well-being: The project activity leads to the promotion of 7500 kW PV power generation project into the region and will promote practice for small scale industries to reduce the dependence on carbon intensive grid supply to meet the captive consumption requirement of electrical energy and also increasing energy availability and improving quality of power under the service area. Hence, the project leads to technological well-being.

The project activity contributes to the following SDGs;

SDG	Description
Goal 7	➤ The project activity has generated 7,453 MWh of clean energy, which with increased shared will increase the affordability at a cheaper rate to end user.

 <p>7 AFFORDABLE AND CLEAN ENERGY</p>	<ul style="list-style-type: none"> ➤ The project activity will utilize Solar energy (renewal resource) to generate power. The project activity will increase the share of renewable resource-based electricity to global mix of energy consumption.
<p>Goal 8</p>  <p>8 DECENT WORK AND ECONOMIC GROWTH</p>	<ul style="list-style-type: none"> ➤ Decent work and economic growth. ➤ This project activity generates additional employment for skilled and unskilled, also the project situated in a remote area will provide employment opportunities to unskilled people from villages. Training on various aspects including safety, operational issues, and developing skill sets will also be provided to employees.
<p>Goal 13</p>  <p>13 CLIMATE ACTION</p>	<ul style="list-style-type: none"> ➤ This 7.5 MW Solar power project meets the SDG 13 goal by saving fossil fuel and producing clean energy. ➤ This project has avoided 6,708 tons of CO₂ emissions during this monitoring period. ➤ SDG 13 on clean energy is closely related and complementary. ➤ In a Greenfield project, electricity delivered to the grid by the project would have otherwise been generated by the operation of grid-connected power plants. Thereby the project activity reduces the dependence on fossil fuel-based generation units and as there are no associated emissions with this project it contributes to the reduction of greenhouse gases (GHG) emissions.

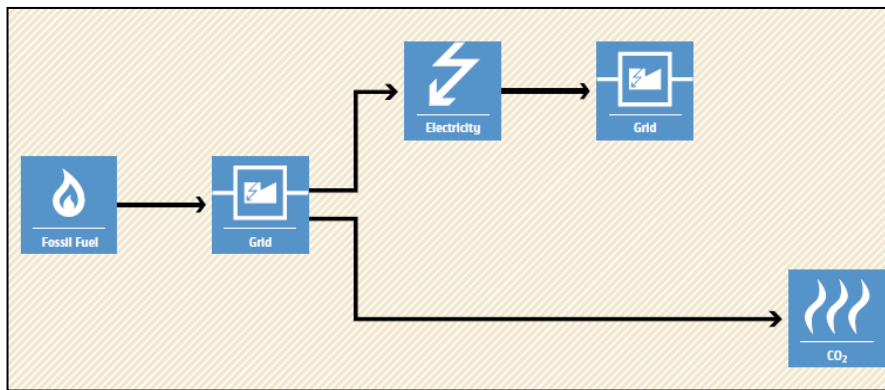
B.3 Baseline Emissions

The baseline scenario identified at the MR stage of the project activity is:

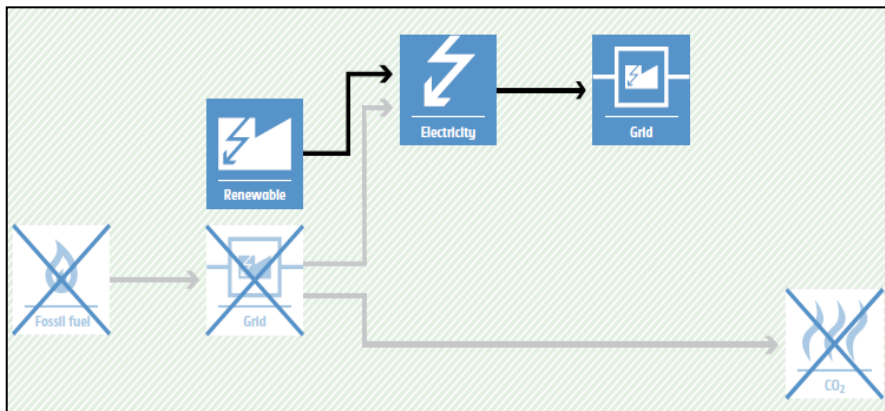
In the absence of the project activity, the equivalent amount of electricity would have been imported from the grid (which is connected to the unified Indian Grid system (NEWNE Grid)), which is carbon intensive due to being predominantly sourced from fossil fuel-based power plants. Hence, the baseline scenario of the project activity is the grid-based electricity system, which is also the pre-project scenario.

Schematic diagram showing the baseline scenario:

Baseline Scenario:



Project Scenario:



Thus, this project activity is a voluntary investment that replaced an equivalent amount of electricity from the Indian grid. The project proponent was not bound to incur this investment as it was not mandatory by national and sectoral policies. Thus, the continued operation of the project activity would continue to replace fossil fuel-based power plants and fight against the impacts of climate change. The Project Proponent hopes that revenues from the carbon credits generated will help repay the loans and help in the continued maintenance of this project activity.

B.4. De-bundling

This project activity is not a bundled component of a larger project activity.

SECTION - C - Application of methodologies and standardized baselines

C.1 References to methodologies and standardized baselines

Sectoral scope	:	01, Energy industries (Renewable/Non-renewable sources)
Type	:	I-Renewable Energy Projects
Category	:	AMS. I.D. (Title: “Grid connected renewable electricity generation”, version 18)

C.2 Applicability of methodologies and standardized baselines

The project activity involves the generation of grid-connected electricity from the construction and operation of a solar power-based project for captive consumption through open access as per the MERC regulations.

The project activity has an installed capacity of 7.5 MW which will qualify for a small-scale project activity under Type-I of the small-scale methodology. The project status is corresponding to the methodology AMS-I.D., version 18, and the applicability of the methodology is discussed below:

Applicability Criterion	Project Case
<p>1. This methodology comprises renewable energy generation units, such as photovoltaic, hydro, tidal/wave, wind, geothermal and renewable biomass:</p> <p>(a) Supplying electricity to a national or a regional grid; or</p> <p>(b) Supplying electricity to an identified consumer facility via national/regional grid through a contractual arrangement such as wheeling.</p>	<p>The project activity is a Renewable Energy Project i.e., a solar power project which falls under applicability criteria option 1 (b).</p> <p>Hence the project activity meets the given applicability criterion.</p>
<p>2. This methodology is applicable to project activities that:</p> <p>(a) Install a greenfield plant;</p> <p>(b) Involve a capacity addition in (an) existing plant(s);</p> <p>(c) Involve a retrofit of (an) existing plant(s);</p> <p>(d) Involve a rehabilitation of (an) existing plant(s)/unit(s); or</p> <p>(e) Involve a replacement of (an) existing plant(s).</p>	<p>The option (a) of applicability criteria 2 is applicable as project is a greenfield plant/Unit. Hence the project activity meets the given applicability criterion.</p>

<p>3. Hydro power plants with reservoirs that satisfy at least one of the following conditions are eligible to apply this methodology:</p> <p>a) The project activity is implemented in the existing reservoir, with no change in the volume of the reservoir; or</p> <p>b) The project activity is implemented in the existing reservoir, where the volume of the reservoir(s) is increased and the power density as per definitions given in the project emissions section, is greater than 4 W/m².</p> <p>c) The project activity results in new reservoirs and the power density of the power plant, as per definitions given in the project emissions section, is greater than 4 W/m²</p>	<p>The project activity involves installation of Solar PV (SPV). Hence, this criterion is not applicable.</p>
<p>4. If the new unit has both renewable and non-renewable components (e.g., a wind/diesel unit), the eligibility limit of 15 MW for a small-scale CDM project activity applies only to the renewable component. If the new unit co-fires fossil fuel, the capacity of the entire unit shall not exceed the limit of 15 MW.</p>	<p>The proposed project is 7.5 MW solar power project, i.e., only component is renewable power project below 15 MW, thus the criterion is not applicable to this project activity.</p>
<p>5. Combined heat and power (co-generation) systems are not eligible under this category.</p>	<p>This is not relevant to the project activity as the project involves only solar power generating units.</p>
<p>6. In the case of project activities that involve the capacity addition of renewable energy generation units at an existing renewable power generation facility, the added capacity of the units added by the project should be lower than 15 MW and should be physically distinct from the existing units.</p>	<p>The proposed project is a greenfield 7.5 MW solar power project, i.e., the only component is a renewable power project below 15 MW, thus the criterion is not applicable to this project activity.</p>
<p>7. In the case of retrofit, rehabilitation or replacement, to qualify as a small-scale project, the total output of the retrofitted, rehabilitated or replacement power plant/unit shall not exceed the limit of 15 MW.</p>	<p>This is a green field project and no expansion and retrofitting were carried out. Hence this criterion is not applicable.</p>
<p>8. In the case of landfill gas, waste gas, wastewater treatment and agro-industries projects, recovered methane emissions are eligible under a relevant Type III category. If the recovered methane is used for electricity generation for supply to a grid, then the baseline for the electricity component shall be in accordance with procedure prescribed</p>	<p>The proposed project is a greenfield 7.5 MW Solar power project; hence, this criterion is not applicable to this project activity.</p>

under this methodology. If the recovered methane is used for heat generation or cogeneration other applicable Type-I methodologies such as “AMS-I.C.: Thermal energy production with or without electricity” shall be explored.	
9. In case biomass is sourced from dedicate plantations, the applicability criteria in the tool “Project emissions from cultivation of biomass” shall apply.	No biomass is involved, the project is only a solar power project and thus the criterion is not applicable to this project activity.

C.3 Applicability of double counting emission reductions

The project was not applied under any other GHG mechanism. Hence the project will not cause double accounting of carbon credits (i.e., CoUs).

C.4 Project boundary, sources, and greenhouse gases (GHGs)

As per applicable methodology AMS-I.D. Version 18.0, “The spatial extent of the project boundary includes the project power plant and all power plants connected physically to the electricity system.”

Thus, the project boundary includes the solar photovoltaic plant and the Indian grid system.

Source		Gas	Included?	Justification/Explanation
Baseline	Grid-connected electricity generation	CO ₂	Yes	Main emission source
		CH ₄	No	Minor emission source
		N ₂ O	No	Minor emission source
		Other	No	No other GHG emissions were emitted from the project
Project	Greenfield Electric Power project Activity	CO ₂	No	No CO ₂ emissions are emitted from the project
		CH ₄	No	Project activity does not emit CH ₄
		N ₂ O	No	Project activity does not emit N ₂ O
		Other	No	No other emissions are emitted from the project

C.5 Establishment and description of the baseline scenario

As per the approved consolidated methodology AMS-I.D. Version 18, if the project activity is the installation of a new grid-connected renewable power plant/unit, the baseline scenario is the following:

“The baseline scenario is that the electricity delivered to the grid by the project activity would have otherwise been generated by the operation of grid-connected power plants and by the addition of new generation sources into the grid”.

The project activity involves setting up of a new solar power plant to harness the solar energy and use it for captive consumption i.e., the Indian grid system through wheeling and banking arrangement. In the absence of the project activity, the equivalent amount of power would have been generated by the operation of grid-connected fossil fuel-based power plants and by the addition of new fossil fuel-based generation sources into the grid. The power produced from other conventional sources which are predominantly fossil fuel-based. Hence, the baseline for the project activity is the equivalent amount of power produced at the Indian grid.

A "grid emission factor" refers to a CO₂ emission factor (tCO₂/MWh) that will be associated with each unit of electricity provided by an electricity system. The UCR recommends an emission factor of 0.9 tCO₂/MWh for the 2013 - 2020 years as a fairly conservative estimate for Indian projects not previously verified under any GHG program. Also, for the vintage 2021-2022, the combined margin emission factor calculated from the CEA database in India results in higher emissions than the default value. Hence, the same emission factor has been considered to calculate the emission reduction under a conservative approach.

C.5.1 Net GHG Emission Reductions and Removals

$$\text{Thus, } ER_y = BE_y - PE_y - LE_y$$

Where:

ER_y = Emission reductions in year y (tCO₂/y)

BE_y = Baseline Emissions in year y (tCO₂/y)

PE_y = Project emissions in year y (tCO₂/y)

LE_y = Leakage emissions in year y (tCO₂/y)

- **Baseline Emissions**

Baseline emissions include only CO₂ emissions from electricity generation in power plants that are displaced due to the project activity. The methodology assumes that all project electricity generation above baseline levels would have been generated by existing grid-connected power plants and the addition of new grid-connected power plants. The baseline emissions are to be calculated as follows:

$$BE_y = EG_{PJ,y} \times EF_{grid,y}$$

$$BE_y = \text{Baseline emissions in year y (tCO}_2\text{)}$$

- $EG_{PJ,y}$ = Quantity of net electricity generation that is produced and fed into the grid as a result of the implementation of the CDM project activity in year y (MWh)
- $EF_{grid,y}$ = UCR recommended emission factor of 0.9 tCO₂/MWh has been considered.
(Reference: General Project Eligibility Criteria and Guidance, UCR Standard, page 4)

Hence

Baseline Emissions Calculation				
Sr. No	Year	EG _{py} (MWh)	EF _{grid,y}	BE _y
1	2022	7,453.42	0.9	6,708
2	BE (tCO ₂ e) for the period 2022			6,708

Estimated annual baseline emission reductions (BE_y)

$$= 7,453 \text{ MWh/year} * 0.9 \text{ tCO}_2/\text{MWh}$$

$$= 6,708 \text{ tCO}_2/\text{year}$$

- **Project Emissions**

As per Paragraph 39 of AMS-I.D. version-18, only emissions associated with fossil fuel combustion, emissions from the operation of geothermal power plants due to the release of non-condensable gases, and emissions from a water reservoir of Hydro should be accounted for the project emission. Since the project activity is a Solar electric power project, project emission for renewable energy plants is nil.

Thus, PE = 0

- **Leakage Emission**

As per paragraph 42 of AMS-I.D. version-18, 'If the energy generating equipment is transferred from another activity, leakage is to be considered.' In the project activity, there is no transfer of energy-generating equipment and therefore the leakage from the project activity is considered zero.

Hence, LE = 0

The actual emission reduction achieved during the first CoU period is calculated below:

Hence Net GHG emission reduction, = 6,708-0-0 = 6,708 tCO₂/year (i.e., 6,708 CoUs/year)

C.6 Prior History

The project was not applied under any other GHG mechanism. Hence the project will not cause double accounting of carbon credits (i.e., CoUs).

C.7 Changes to the start date of crediting

The crediting period under UCR has been considered from the date of the generation of electricity. There is no change in the start date of crediting period.

C.8 Permanent changes from MR monitoring plan, applied methodology, or applied standardized baseline

Not applicable.

C.9 Monitoring period number and duration

Total Monitoring Period: 10 Months

Date: 31/03/2022 to 31/12/2022 (inclusive of both dates).

C.10 Monitoring Plan

The project activity essentially involves the generation of electricity from solar radiations, the employed SPV can only convert solar energy into electrical energy and does not use any other input fuel for electricity generation, thus no special ways and means are required to monitor leakage from the project activity. The recording of the electricity fed to the state utility grid is carried out jointly at the incoming feeder of the state power utility.

Data and Parameters available:

Data / Parameter	UCR recommended emission factor
Data unit	tCO ₂ /MWh
Description	A "grid emission factor" refers to a CO ₂ emission factor (tCO ₂ /MWh) which will be associated with each unit of electricity provided by an electricity system. The UCR recommends an emission factor of 0.9 tCO ₂ /MWh for the 2013 - 2020 years as a fairly conservative estimate for Indian projects not previously verified under any GHG program. Hence, the same emission factor has been considered to calculate the emission reduction under conservative approach.
Source of data	https://a23e347601d72166dcd6-16da518ed3035d35cf0439f1cdf449c9.ssl.cf2.rackcdn.com//Documents/UCRCoUStandardAug2022updatedVer6_090822220127104470.pdf
Value applied	0.9
Measurement methods and procedures	-
Monitoring frequency	Fixed parameter
Purpose of Data	For the calculation of Emission Factor of the grid
Additional Comment	The combined margin emission factor as per CEA database (current version 16, Year 2021) results into higher emission factor. Hence for 2021 vintage UCR default emission factor remains conservative.

Data and Parameters to be monitored (ex-post monitoring values):

Data / Parameter	$EG_{PJ, facility, y}$
Data unit	MWh
Description	Net electricity supplied to the NEWNE grid facility by the project activity during 31/03/2022 to 31/12/2022.
Source of data	Joint metering reading report of monthly generation by (MSEDCL)
Measurement procedures (if any):	<p>Data Type: Measured</p> <p>Monitoring equipment: Energy Meters are used for monitoring</p> <p>Recording Frequency: Continuous monitoring and Monthly recording from Energy Meters, Summarized Annually</p> <p>Archiving Policy: Paper & Electronic</p> <p>Calibration frequency: 5 years (as per CEA provision)</p> <p>The electricity generation by the solar power plant is recorded at the sub-station. At the end of every month, JMR is generated.</p>
Measurement Frequency:	Monthly
Value applied:	7,453 (Ex-post estimate)
QA/QC procedures applied:	<p>Continuous monitoring, hourly measurement monthly recording.</p> <p>Tri-vector (TVM)/ABT energy meters with accuracy class 0.2s</p>
Purpose of data:	The Data/Parameter is required to calculate the baseline emission.
Any comment:	Data will be archived electronically for a period of 36 months beyond the end of crediting period.

ANNEXURE I (Emission Reduction Calculation)

Ground Mounted Small Scale Solar Power Project by Vinati Organics Limited in Osmanabad, Maharashtra													
Month - Wise Energy Delivered to Grid (in kWh)													
Year	Jan	Feb	Mar	Apr	May	Jun	Jul	Aug	Sep	Oct	Nov	Dec	
2022	-	-	-	3,95,919	10,17,313	8,93,789	6,75,568	8,43,402	8,41,840	9,57,570	9,67,763	8,60,258	
Year-Wise Emission reduction calculation for the project activity													
Year	Total No. of Electricity delivered in kWh			Recommended emission factor tCO ₂ /MWh				Total CoUs generated					
2022	74,53,422			0.9				6,708					
Total CoUs to be issued for the first monitoring period (Year: 2022)													6,708